

PIPINGNOW



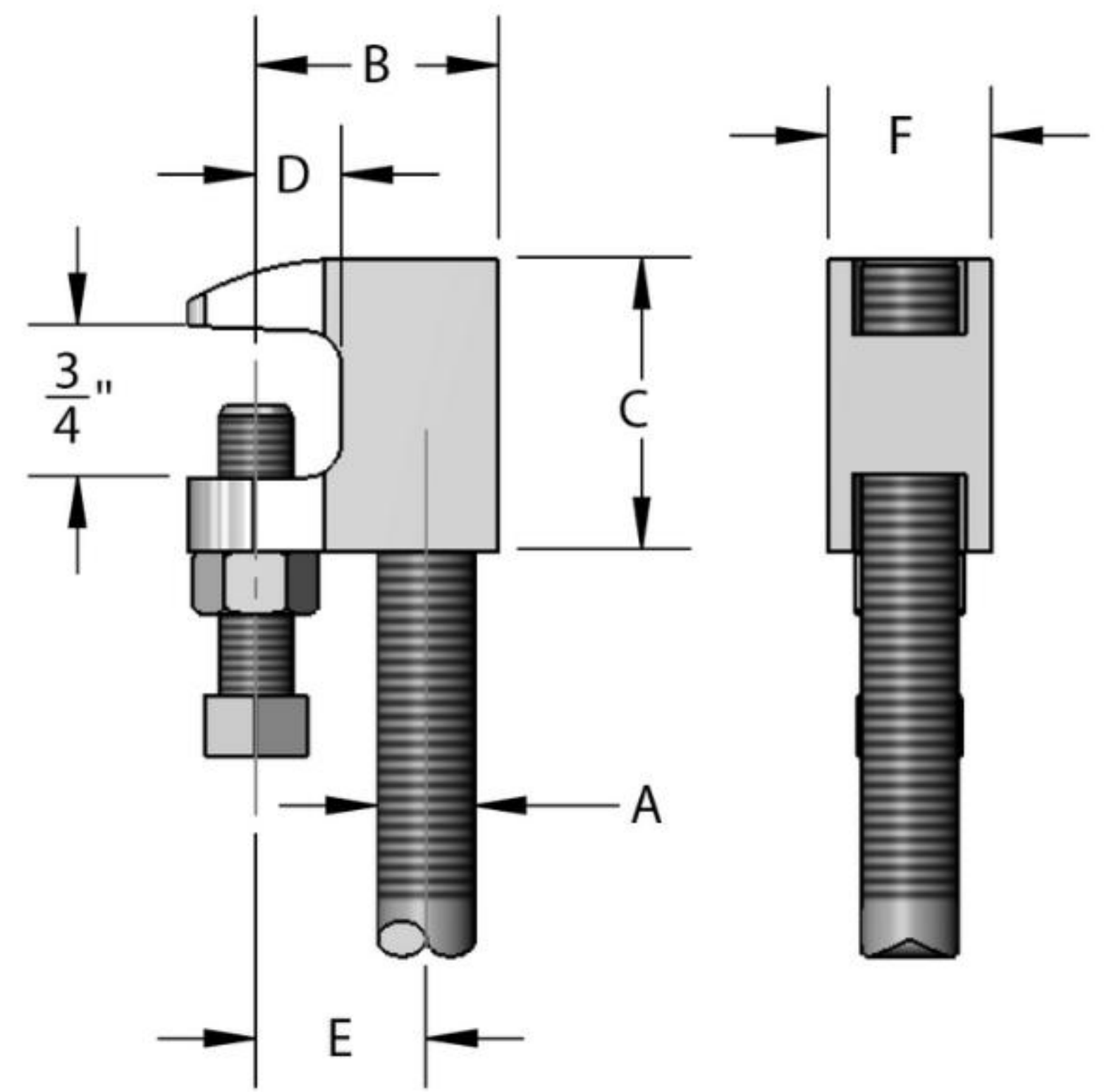
✉ info@pipingnow.com

☎ 833-290-3800

🌐 PIPINGNOW.COM

FIG. 62SS/62SX Small Mouth Beam Clamp

Materials/Finishes	T-304 Stainless: (62SS)	T-316 Stainless: (62SX)
Variants:	N/A	
Service:	Designed to attach hanger rod to the top or bottom flange of a beam or bar joist where flange thickness does not exceed 5/8 of an inch.	
Approvals:	U.L. - U.L.C. listed 3/8 and 1/2 (1/2 for 4" IPS max). Complies with Federal Specification A-A-1192 A (Type# 19) and Manufacturers' Standardization Society MSS SP-58 (Type# 19).	
Ordering:	Specify figure number, finish and rod size.	
Notes:	See MSS SP-69 for proper set screw recommendations. Stainless steel beam clamps are recommended for corrosive environments.	



ROD SIZE A	SET SCREW	B	C	D	E	F	MAX PIPE SIZE	WGT EACH (lbs)	MAX REC LOAD (lbs) STANDARD
1/4-20	3/8-16	1-5/16	1-1/2	1/2	1	7/8		0.340	250
3/8-16	3/8-16	1-5/16	1-1/2	1/2	1	7/8	4	0.320	610
1/2-13	3/8-16	1-5/16	1-1/2	1/2	1	7/8	4	0.320	1130
5/8-11	3/8-16	1-3/4	1-3/4	5/8	1-3/8	1-1/8	5	0.580	1130
3/4-10	3/8-16	1-7/8	1-7/8	5/8	1-3/8	1-3/8	6	0.820	1130

