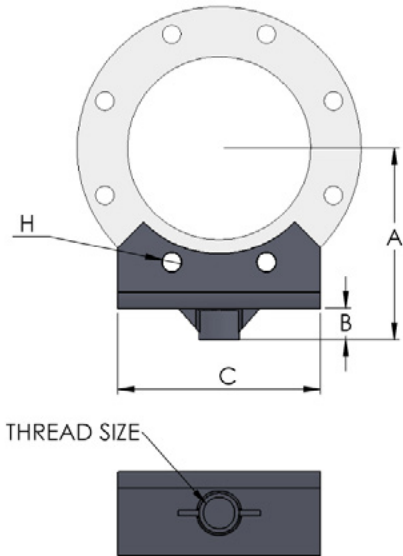
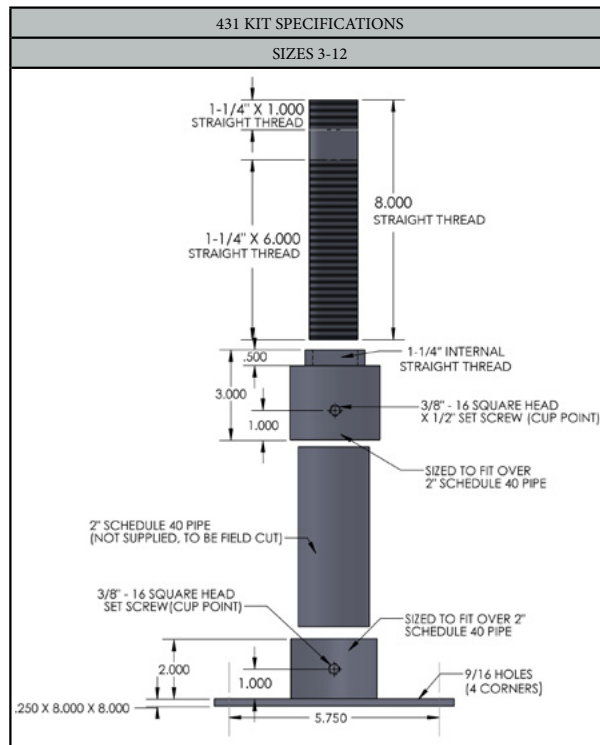


FIG. 431KT adjustable bolt on flange support kit



Materials/Finishes:	Hot-Dip Galvanized (431KTHDG)
Variants:	N/A
Service:	Designed to support pipe flange horizontally. Straight cut pipe thread on nipple provides up to 4-1/2 inches of vertical adjustability.
Approvals:	N/A
Ordering:	Specify figure number, finish and pipe size.
Notes:	Support requires 2" schedule 40 extension pipe (not supplied) to be cut in the field. Empire Industries' FIG. 431KT is designed to connect to back flow devices, water meters and to accommodate class 125 flange installation devices.

431 SADDLE SPECIFICATIONS					
SIZE	A	B	C	H	THREAD SIZE
3	6-1/2	1-1/2	6-1/2	13/16	1-1/4 - 7
4	6-7/8	1-1/2	6	13/16	1-1/4 - 7
6	7-7/8	1-1/2	8	15/16	1-1/4 - 7
8	9-1/8	1-1/2	9-1/8	15/16	1-1/4 - 7
10	10-5/16	1-1/2	8	1-1/16	1-1/4 - 7
12	11-13/16	1-1/2	9-1/2	1-1/16	1-1/4 - 7



PROJECT INFORMATION			APPROVAL STAMP
Project:			Notes:
Address:			
Contractor:			
Engineer:			
Date:			
Approved	Approved as Noted	Not Approved	