

TC-CK, TC-CKS VALVE

200 WOG SWING CHECK VALVE, THREADED

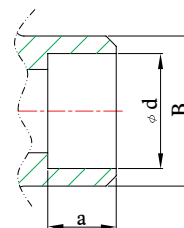
Distributed by
www.PipingNow.com



DESIGN FEATURES:

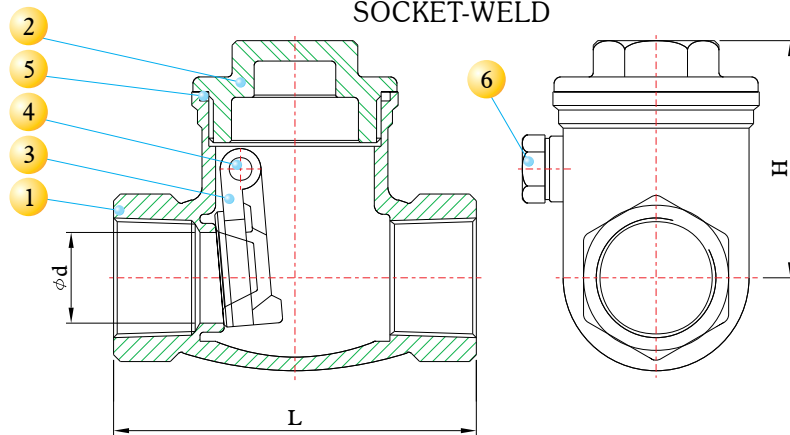
- Swing Type
- Body: ASTM A351 Gr.CF8M
- Disc: ASTM A351 Gr.CF8M
- Packing: PTFE.
- Working Pressure: 200 psi
- End Connections: Threaded End
- TEST STANDARD: API 598

Threaded Type:
ANSI B1.20.1 (NPT)
DIN 259/DIN 2999
ISO 228
BSP
PT

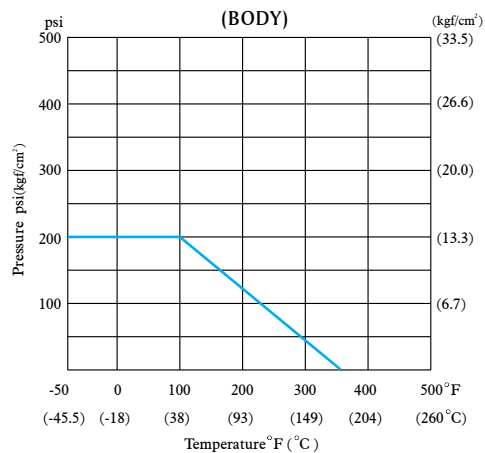


MATERIALS LIST

NO.	PART NAME	MATERIAL	QTY
1	BODY	ASTM A351 Gr.CF8M	1
2	CAP	ASTM A351 Gr.CF8M	1
3	DISC	ASTM A351 Gr.CF8M	1
4	HINGE PIN	SS316	1
5	GASKET	PTFE	1
6	PLUG	SS316	1



PRESSURE TEMPERATURE RATINGS



DIMENSIONS

SIZE	d		L		H		a		d		B		Cv Factor	Weight	
	inch	mm	inch	mm	inch	mm	inch	mm	inch	mm	inch	mm		Kg	Lb
1/4"	0.39	10	2.56	65.0	1.77	45	0.39	10	0.55	14.1	0.9	22.8	3.0	0.33	0.73
3/8"	0.47	12	2.56	65.0	1.77	45	0.39	10	0.69	17.6	0.9	22.8	4.0	0.35	0.77
1/2"	0.59	15	2.60	66.0	1.81	46	0.39	10	0.85	21.7	1.06	26.8	6.5	0.30	0.66
3/4"	0.79	20	3.19	81.0	2.13	54	0.51	13	1.07	27.1	1.36	34.6	15.0	0.48	1.06
1"	0.98	25	3.58	91.0	2.36	60	0.51	13	1.33	33.8	1.56	39.5	28.0	0.75	1.65
1 1/4"	1.26	32	4.19	106.5	2.83	72	0.51	13	1.68	42.6	1.93	49.0	45.0	1.15	2.53
1 1/2"	1.57	40	4.76	121.0	2.95	75	0.51	13	1.92	48.7	2.20	55.8	65.0	1.54	3.39
2"	1.97	50	5.59	142.0	3.23	82	0.63	16	2.41	61.1	2.68	68.0	120.0	2.54	5.59
2 1/2"	2.56	65	6.26	159.0	3.54	90	0.63	16	2.91	73.8	3.46	88.0	190.0	3.80	8.37
3"	3.15	80	7.48	190.0	4.09	104	0.63	16	3.54	89.8	4.13	105.0	280.0	5.90	13.00

