

83R-140 SERIES

Carbon Steel 3-Piece Full Port Ball Valve With Actuator Ready ISO Mounting Pad 1.5" & 2"

Full Port Threaded, 800 CWP (psig), Cold Non-Shock. 150 psig Saturated Steam.
 Vacuum Service to 29 inches Hg.
 MSS SP-110 compliant.
 Meets NACE MR0175 (2000) & MR0103 (2012)

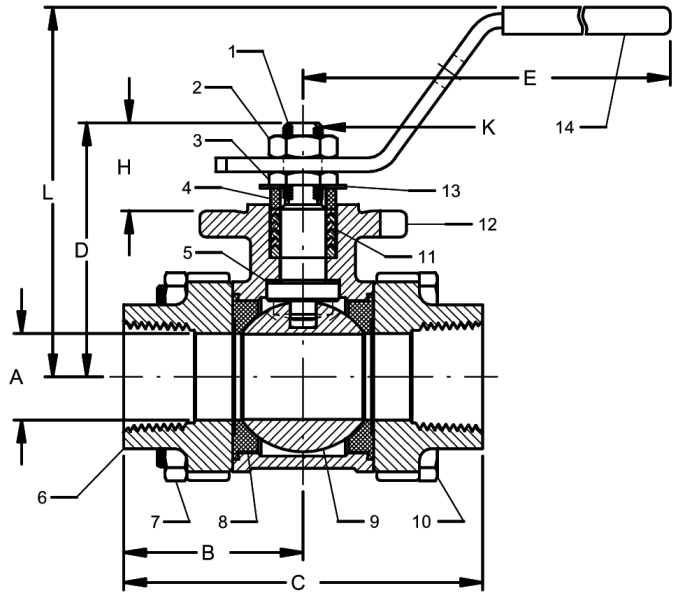


FEATURES

- Multi-piece packing set
- ISO 5211 mounting pad
- Blow-out-proof stem design
- In-line repairable
- Adjustable packing gland
- Investment cast components
- Reinforced seats and seals
- Full port configuration

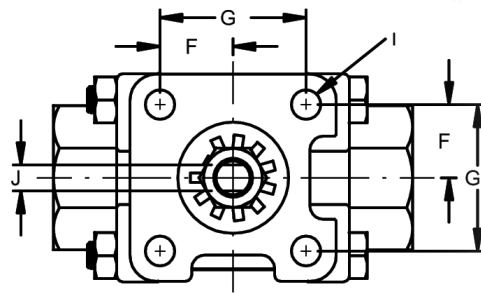
OPTIONS AVAILABLE: (More information in Section J)

(SUFFIX)	OPTION
-01	Standard Configuration
-P -01-	BSPP (Parallel) Thread Connection
-T -01-	BSPT (Tapered) Thread Connection
-02-	Static Grounded
-04-	2.25" Stem Extension
-08-	90° Reversed Stem
-10-	SS Lever & Nut
-14-	Vented Ball
-18-	Plain Yellow Grip
-21-	UHMWPE Seats (Non-PTFE)
-24-	Graphite Stem Packing (not fire safe)
-27-	Latch Lock Lever
-35-	PTFE Trim
-36-	SS Round Handle
-39-	SS Hi-Rise Locking Wheel Handle, SS Nut
-56-	Multifill Seats & Graphite Packing
-59-	SS External Trim - 3-pc. Valves
-60-	Grounded Ball & Stem
-63-	NPT x Socket Weld
-66-	NPT x Buttweld
-AR-	Less Handle & Stop-Add Belleville Washers
-WB-	With Lever & Belleville Washers



STANDARD MATERIAL LIST

PART	MATERIAL
1 Stem	A276-316
2 Jam nut	Steel, zinc plate
3 Low profile nut	316 SS
4 Gland	A276-316
5 Stem bearing	RPTFE
6 End cap (2)	A216-WCB
7 Hex nut (4)	Stl-gr. 8-zinc plt
8 Seat (2)	RPTFE
9 Ball	316 SS
10 Body bolt (4)	Stl-gr. 8-zinc plt
11 Stem packing	MPTFE
12 Body	ASTM A216-WCB
13 Lock tab washer	304 SS
14 Lever and grip	Stl-zinc plt-w/vinyl



FOR PRESSURE/TEMPERATURE RATINGS, REFER TO PAGE M-12, GRAPH NO. 7

PRODUCT NUMBER	SIZE	A	B	C	D	E	F	G	H	I	J (FLATS)	K (THRDS.)	L
83R-147-01	1.5"	1.50	2.59	5.18	3.49	8.06	.98	1.95	1.16	0.34	.370/.372	5/8-18	4.35
83R-148-01	2"	2.00	3.01	6.03	3.95	8.06	.98	1.95	1.16	0.34	.370/.372	5/8-18	4.85



83R-140 SERIES

Carbon Steel 3-Piece Full Port Ball Valve With Actuator Ready ISO Mounting Pad 3"

Full Port Threaded, 800 CWP (psig), Cold Non-Shock. 150 psig Saturated Steam.
 Vacuum Service to 29 inches Hg.
 MSS SP-110 compliant.
 Meets NACE MR0175 (2000) & MR0103 (2012)



FEATURES

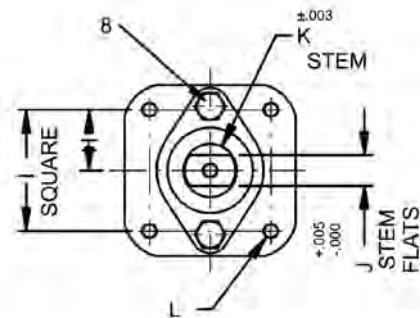
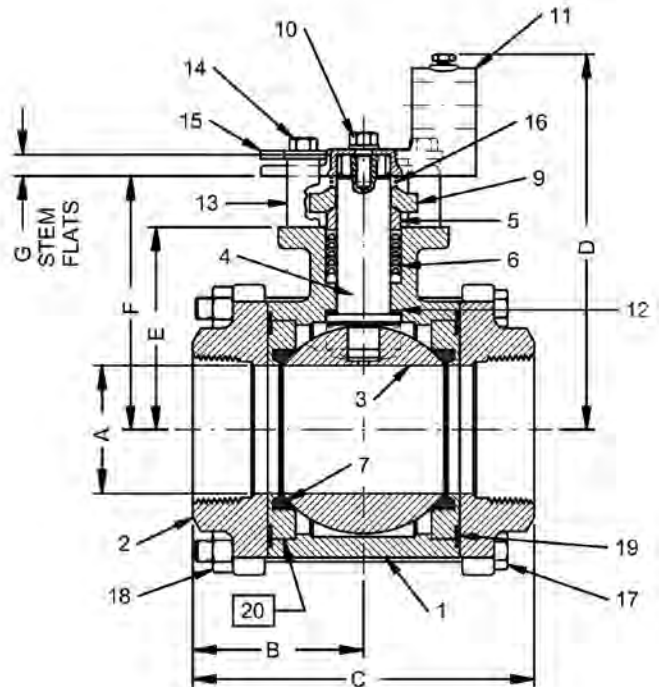
- Multi-piece packing set
- ISO 5211 mounting pad
- Blow-out-proof stem design
- In-line repairable
- Adjustable packing gland
- Investment cast components
- Reinforced seats and seals
- Full port configuration

OPTIONS AVAILABLE: (More information in Section J)

(SUFFIX)	OPTION	SIZES
-01	Standard Configuration	All
-02-	Static Grounded	3"
-14-	Vented Ball	3"
-24-	Graphite Stem Packing (not fire safe)	3"
-35-	PTFE Trim	3"
-49-	Assembled Dry	3"
-57-	Cleaned For Gaseous Oxygen	3"
-60-	Grounded Ball & Stem	3"
-63-	NPT x Socket Weld	3"
-70-	4" Extended Bonnet	3"

STANDARD MATERIAL LIST

PART	MATERIAL
1 Body	ASTM A216-WCB
2 End Caps	ASTM A216-WCB
3 Ball	316 SS
4 Stem	A276-316
5 Packing Gland	Carbon Steel
6 Stem Seal	MPTFE
7 Seats (2)	RPTFE
8 Gland Screws (2)	Stainless Steel
9 Gland Plate	Stainless Steel
10 Adapter Screw	Stainless Steel
11 Handle Adapter	Stainless Steel
12 Stem Bearing	RPTFE
13 Stops (2)	Stainless Steel
14 Stop Screws (2)	Stainless Steel
15 Lock Plate	Stainless Steel
16 Grounding Spring	Stainless Steel
17 Body Bolts (6)	Stainless Steel
18 Heavy Hex Nuts (6)	Stainless Steel
19 Body Seals (2)	RPTFE
20 Seat Holders (2)	Carbon Steel
21 Pipe Handle	(not shown)



FOR PRESSURE/TEMPERATURE RATINGS, REFER TO PAGE M-12, GRAPH NO. 7

PRODUCT NUMBER	SIZE	A	B	C	D	E	F	G	H	I	J (FLATS)	K	L (THRDS.)
83R-140-01	3"	3.00	4.00	8.00	8.80	4.75	5.94	0.50	1.420	2.840	0.725	1.250	3.28

FLOW DATA

For Apollo® Ball Valves

The listed Cv "factors" are derived from actual flow testing, in the Apollo® Ball Valve Division, Conbraco Industries, Inc., Pageland, South Carolina. These tests were completed using standard "off the shelf" valves with no special preparation and utilizing standard schedule 40 pipe. It should be understood that these factors are for the valve only and also include the connection configuration. The flow testing is done utilizing water as a fluid media and is a direct statement of the gallons of water flowed per minute with a 1 psig pressure differential across the valve/connection unit. Line pressure is not a factor. Because the Cv is a factor, the formula can be used to estimate flow of most media for valve sizing.

FLOW OF LIQUID

$$Q = C_v \sqrt{\frac{\Delta P}{SpGr}}$$

$$\text{or } \Delta P = \frac{(Q)^2 (SpGr)}{(C_v)^2}$$

Where:

Q = flow in US gpm
 ΔP = pressure drop (psig)
 SpGr = specific gravity at flowing temperature
 Cv = valve constant

FLOW OF GAS

$$Q = 1360 C_v \sqrt{\frac{(\Delta P) (P_2)}{(SpGr) (T)}}$$

$$\text{or } \Delta P = \frac{5.4 \times 10^{-7} (SpGr) (T) (Q)^2}{(C_v)^2 (P_2)}$$

Where:

Q = flow in SCFH
 ΔP = pressure drop (psig)
 SpGr = specific gravity (based on air = 1.0)
 P₂ = outlet pressure-psia (psig + 14.7)
 T = (temp. °F + 460)
 Cv = valve constant

Cv FACTORS FOR APOLLO VALVES

SIZE (IN.)	1/4	3/8	1/2	3/4	1	1.25	1.5	2	2.5	3	4	6	8	10	12
VALVE															
32-100/200 Series	5.1	6.6	8	24	30	45	55	95	--	--	--	--	--	--	--
64-100/200 Series	6	7	19	34	50	104	268	309	629	1018	1622	--	--	--	--
64W Series	--	--	--	--	--	--	--	--	629	1018	1622	--	--	--	--
70B-140 Series	8.4	7.2	15	30	43	48	84	108	190	370	670	--	--	--	--
70-100/200 Series	8.4	7.2	15	30	43	48	84	108	190	370	670	--	--	--	--
70-300/400 Series	--	--	15	30	43	48	84	108	--	--	--	--	--	--	--
70-600 Series	2.3	4.5	5.4	12	14	21	34	47	--	--	--	--	--	--	--
70-800 Series	8.4	7.2	15	30	43	48	84	--	--	--	--	--	--	--	--
71AR Series	--	--	--	30	43	48	84	108	190	370	--	--	--	--	--
71-100/200 Series	--	--	--	30	43	48	84	108	190	370	--	--	--	--	--
72-100/900 Series	--	--	26	48	65	125	170	216	--	--	--	--	--	--	--
73A-100 Series	8.4	7.2	15	30	43	48	84	108	--	--	--	--	--	--	--
73-300/400 Series	--	--	26	48	65	125	170	216	--	--	--	--	--	--	--
74-100 Series	8.4	7.2	15	30	43	48	84	108	190	370	670	--	--	--	--
75-100 Series	8.4	7.2	15	30	43	48	84	108	190	370	670	--	--	--	--
76AR Series	8.4	7.2	15	30	43	48	84	108	190	370	670	--	--	--	--
76F-100 Series	8.1	15	15	51	68	125	177	389	--	--	--	--	--	--	--
76-100 Series	8.4	7.2	15	30	43	48	84	108	190	370	--	--	--	--	--
76-300/400 Series	--	--	26	48	65	125	170	216	--	--	--	--	--	--	--
76-600 Series	2.3	4.5	5.4	12	14	21	34	47	--	--	--	--	--	--	--
7K-100 Series	--	--	15	51	68	125	177	389	503	--	--	--	--	--	--
77AR Series	8.1	15	15	51	68	125	177	389	--	--	--	--	--	--	--
77C-100/200 Series	4.5	7.2	16	36	68	125	177	389	503	--	--	--	--	--	--
77D-140 Series	4.5	7.2	16	36	68	125	177	389	--	--	--	--	--	--	--
77D-640 Series	--	--	--	11	24	35	--	--	--	--	--	--	--	--	--
77G-UL Series	4.5	7.2	16	36	68	125	177	389	503	--	--	--	--	--	--
77W Series	--	--	16	36	68	125	177	389	--	--	--	--	--	--	--
77X Series	--	--	16	36	68	--	--	--	--	--	--	--	--	--	--
77-100/200 Series	8.1	15	15	51	68	125	177	389	503	--	--	--	--	--	--
79 Series	8.5	8.5	9.8	32	44	66	148	218	440	390	--	--	--	--	--

continued on next page



FLOW DATA

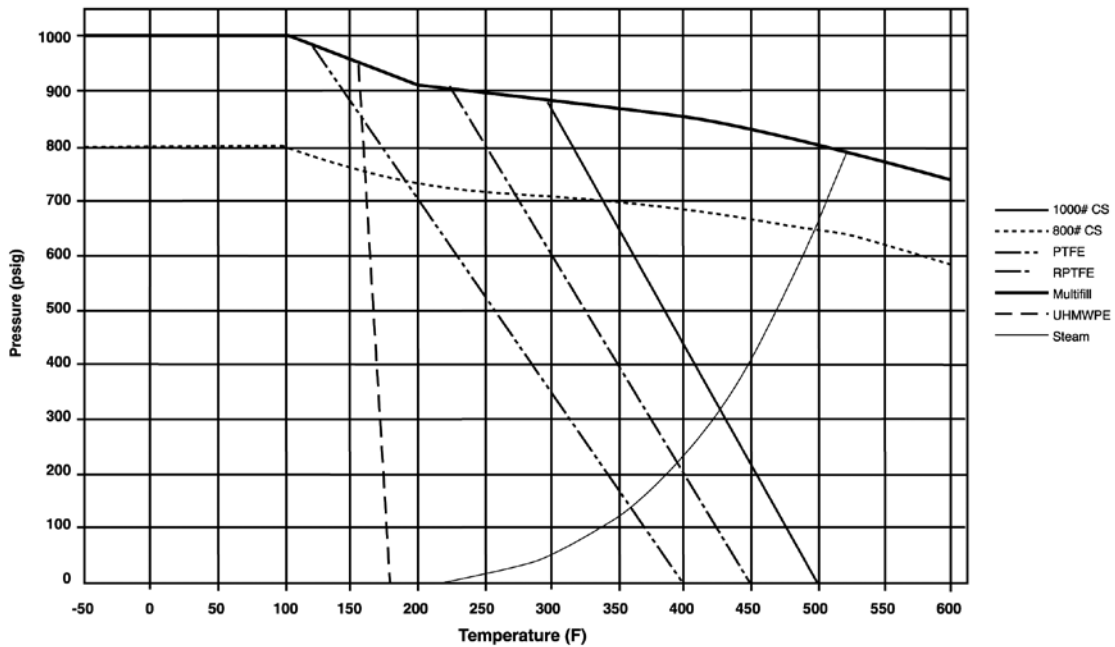
For Apollo® Ball Valves

Cv FACTORS FOR APOLLO VALVES (continued from page M-3)

SIZE (IN.)	1/4	3/8	1/2	3/4	1	1.25	1.5	2	2.5	3	4	6	8	10	12
VALVE															
80/81 Series	8.4	7.2	15	30	43	48	84	108	190	370	--	--	--	--	--
82-100/200 Series	8.1	14	26	51	68	120	170	376	510	996	1893	--	--	--	--
83A/83B Series	8.1	14	26	51	68	120	170	376	--	--	--	--	--	--	--
83R-100/200 Series	--	--	--	--	--	--	170	376	--	996	1893	--	--	--	--
86A/86B Series	8.1	14	26	51	68	120	170	376	--	--	--	--	--	--	--
86R-100/200 Series	--	--	--	--	--	--	170	376	--	996	1893	--	--	--	--
87A-100 Series	--	--	--	--	--	--	86	104	234	375	673	1099	1902	3890	--
87A-200 Series	--	--	15	19	75	--	195	410	545	1021	2016	4837	9250	15170	22390
87A-700 Series	--	--	--	--	--	--	86	104	234	375	673	1099	1902	3890	--
87A-900 Series	--	--	15	19	75	--	195	410	545	1021	2016	4837	9250	15170	22390
87B-100 Series	--	--	--	--	--	--	--	--	--	375	673	1099	1902	3890	--
88A-100 Series	--	--	--	--	--	--	86	104	234	375	673	1099	1902	3890	--
88A-200 Series	--	--	15	19	75	--	195	410	545	1021	2016	4837	9250	15170	22390
88A-700 Series	--	--	--	--	--	--	86	104	234	375	673	1099	1902	3890	--
88A-900 Series	--	--	15	19	75	--	195	410	545	1021	2016	4837	9250	15170	22390
88B-100 Series	--	--	--	--	--	--	--	--	--	375	673	1099	1902	3890	--
89-100 Series	8.4	7.2	15	30	43	48	84	108	190	370	--	--	--	--	--
9A-100 Series	8.3	6.7	5.7	10	16	25	40	62	--	--	--	--	--	--	--
91-100 Series	8.3	6.7	5.7	10	16	25	40	62	--	--	--	--	--	--	--
92-100 Series	8.3	6.7	5.7	10	16	25	40	62	--	--	--	--	--	--	--
93-100 Series	8.3	6.7	5.7	10	16	25	40	62	--	--	--	--	--	--	--
94A-100/200 Series	6	7	19	34	50	104	268	309	629	1018	1622	--	--	--	--
95-100/200 Series	--	--	15	51	68	--	--	--	--	--	--	--	--	--	--
95A-300/400 Series	--	--	19	34	50	--	--	--	--	--	--	--	--	--	--
96-100 Series	8.3	6.7	5.7	10	16	25	40	62	--	--	--	--	--	--	--
399-100 Series	8.4	7.2	15	30	43	48	84	108	190	370	--	--	--	--	--
489-100 Series	8.4	7.2	15	30	43	48	84	108	190	370	--	--	--	--	--

PRESSURE TEMPERATURE RATINGS

1000# CS (GRAPH 7)



1000# SS (GRAPH 8)

