

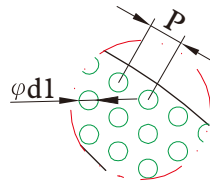
150# R.F. FLANGED Y STRAINERS STAINLESS STEEL



DESIGN FEATURES:

- Body: ASTM A351 Gr.CF8M
- Screen: SS304
- Gasket: PTFE
- Flange Dimensions: ANSI B16.5 150 #
- TEST STANDARD: API 598

Distributed by
www.PipingNow.com



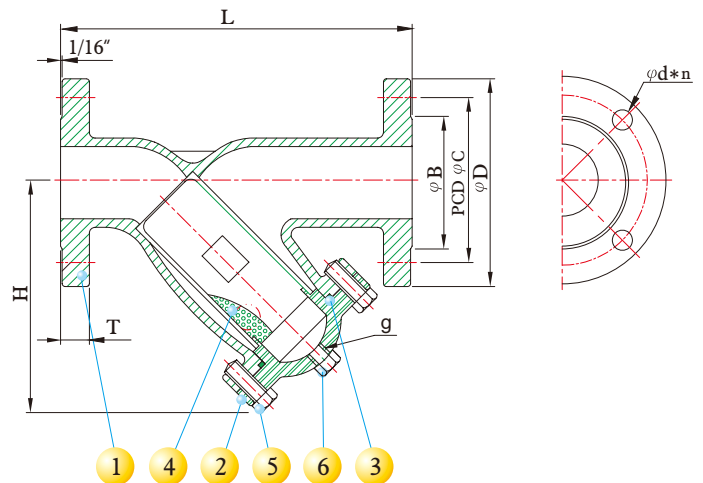
Screen Detail

| SIZE | | d1 | | P | |
|------|-----|------|----|------|----|
| inch | mm | inch | mm | inch | mm |
| 2" | 50 | 0.04 | 1 | 0.08 | 2 |
| 3" | 80 | 0.04 | 1 | 0.08 | 2 |
| 4" | 100 | 0.04 | 1 | 0.08 | 2 |
| 6" | 150 | 0.12 | 3 | 0.20 | 5 |

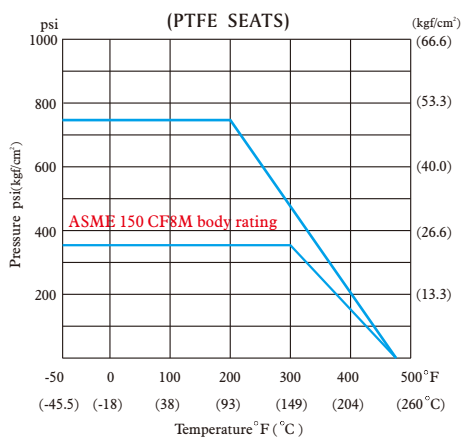
MATERIALS LIST

| NO. | PART NAME | MATERIAL | QTY |
|-----|---------------|-------------------|-----|
| 1 | BODY | ASTM A351 Gr.CF8M | 1 |
| 2 | CAP | ASTM A351 Gr.CF8M | 1 |
| 3 | GASKET | PTFE | 1 |
| 4 | SCREEN | * SS304 | 1 |
| 5 | BOLT | ASTM A193 B8 | 4~8 |
| 6 | BLOW OFF PLUG | ASTM A351 Gr.CF8M | 1 |

* 316 SCREENS AVAILABLE UPON REQUEST



PRESSURE TEMPERATURE RATINGS



DIMENSIONS

| SIZE | | B | | C | | D | | d | | H | | L | | n | T | | g | Cv Factor | Weight | |
|--------|-----|------|-----|------|-------|-------|-----|------|----|-------|-----|-------|-----|---|------|------|--------|-----------|--------|-------|
| inch | mm | inch | mm | inch | mm | inch | mm | inch | mm | inch | mm | inch | mm | | inch | mm | | | Kg | Lb |
| 2" | 50 | 3.62 | 92 | 4.74 | 120.5 | 5.98 | 152 | 0.75 | 19 | 5.75 | 146 | 8.58 | 218 | 4 | 0.63 | 15.9 | 1/2" | 500 | 12 | 26.5 |
| 2 1/2" | 80 | 4.13 | 105 | 5.49 | 139.5 | 7.00 | 178 | 0.75 | 19 | 7.09 | 180 | 10.28 | 261 | 4 | 0.69 | 17.5 | 3/4" | 850 | 17 | 37.5 |
| 3" | 80 | 5.00 | 127 | 6.00 | 152.5 | 7.48 | 190 | 0.75 | 19 | 7.87 | 200 | 11.61 | 295 | 8 | 0.75 | 19.1 | 1" | 1150 | 20 | 44.1 |
| 4" | 100 | 6.18 | 157 | 7.50 | 190.5 | 9.02 | 229 | 0.75 | 19 | 9.45 | 240 | 14.21 | 361 | 8 | 0.94 | 23.9 | 1 1/2" | 2120 | 34 | 75.0 |
| 6" | 150 | 8.50 | 216 | 9.51 | 241.5 | 10.98 | 279 | 0.87 | 22 | 13.39 | 340 | 18.46 | 469 | 8 | 1.00 | 25.4 | 2" | 5100 | 65 | 143.3 |