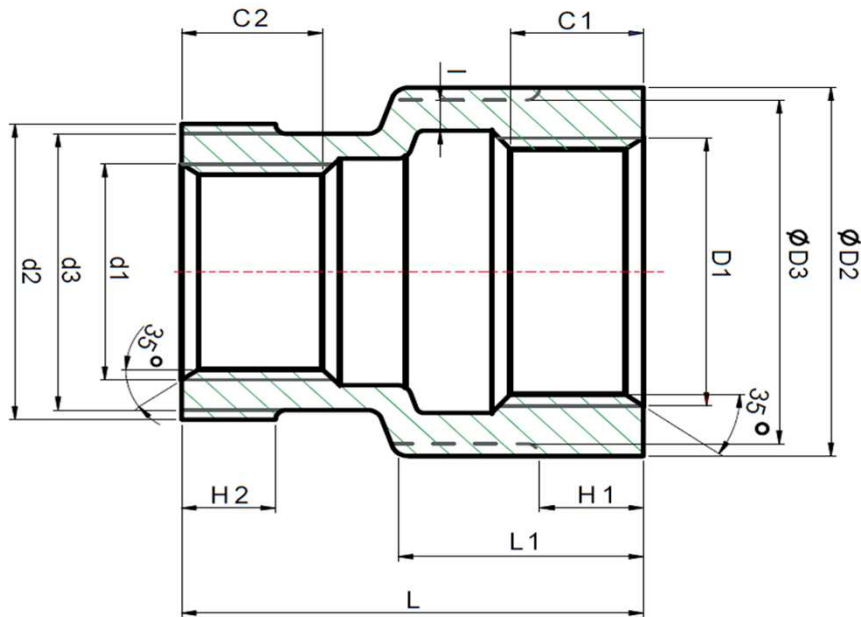


REDUCING COUPLING											unit : inch		
SIZE	D 1	D 2	D 3	C 1	H 1	d 1	d 2	d 3	C 2	H 2	L 1	L	I
1/4" x 1/8"	1/4"	0.79	0.71	0.31	0.24	1/8"	0.63	0.55	0.43	0.28	0.63	1.12	0.12
3/8" x 1/8"	3/8"	1.00	0.91	0.37	0.28	1/8"	0.63	0.55	0.47	0.24	0.91	1.61	0.12
3/8" x 1/4"	3/8"	1.00	0.91	0.38	0.28	1/4"	0.79	0.71	0.51	0.24	0.91	1.61	0.12
1/2" x 1/8"	1/2"	1.18	1.10	0.39	0.31	1/8"	0.63	0.55	0.35	0.28	0.94	1.77	0.10
1/2" x 1/4"	1/2"	1.18	1.10	0.39	0.31	1/4"	0.79	0.71	0.49	0.28	0.94	1.77	0.10
1/2" x 3/8"	1/2"	1.18	1.10	0.39	0.31	3/8"	1.00	0.91	0.39	0.31	0.94	1.77	0.10
3/4" x 1/8"	3/4"	1.42	1.30	0.39	0.35	1/8"	0.63	0.55	0.43	0.31	0.87	1.77	0.12
3/4" x 1/4"	3/4"	1.42	1.30	0.39	0.35	1/4"	0.79	0.71	0.43	0.31	1.02	1.77	0.12
3/4" x 3/8"	3/4"	1.42	1.30	0.39	0.35	3/8"	1.00	0.91	0.59	0.31	0.98	1.77	0.12
3/4" x 1/2"	3/4"	1.42	1.30	0.39	0.35	1/2"	1.18	1.10	0.59	0.31	0.98	1.77	0.12
1" x 1/8"	1"	1.77	1.65	0.55	0.35	1/8"	0.63	0.55	0.47	0.31	1.02	1.97	0.12
1" x 1/4"	1"	1.77	1.65	0.55	0.43	1/4"	0.79	0.71	0.47	0.31	1.10	1.97	0.12
1" x 3/8"	1"	1.77	1.65	0.55	0.43	3/8"	1.00	0.91	0.51	0.31	1.10	1.97	0.12
1" x 1/2"	1"	1.77	1.65	0.55	0.43	1/2"	1.18	1.10	0.51	0.35	1.14	1.97	0.12
1" x 3/4"	1"	1.77	1.65	0.55	0.43	3/4"	1.42	1.30	0.55	0.43	1.10	1.97	0.12
1-1/4" x 1/4"	1 1/4"	2.09	1.97	0.71	0.43	1/4"	0.79	0.71	0.59	0.24	1.14	1.97	0.14
1-1/4" x 3/8"	1 1/4"	2.09	1.97	0.71	0.43	3/8"	1.00	0.91	0.47	0.31	1.14	1.97	0.14
1-1/4" x 1/2"	1 1/4"	2.09	1.97	0.63	0.43	1/2"	1.18	1.10	0.51	0.39	1.18	1.97	0.14
1-1/4" x 3/4"	1 1/4"	2.09	1.97	0.63	0.47	3/4"	1.42	1.30	0.51	0.39	1.18	1.97	0.14
1-1/4" x 1"	1 1/4"	2.09	1.97	0.63	0.47	1"	1.77	1.61	0.71	0.43	1.18	1.97	0.14
1-1/2" x 1/4"	1 1/2"	2.36	2.22	0.71	0.47	1/4"	0.79	0.71	0.71	0.24	1.22	2.24	0.14
1-1/2" x 3/8"	1 1/2"	2.36	2.22	0.71	0.47	3/8"	1.00	0.91	0.71	0.31	1.22	2.24	0.14
1-1/2" x 1/2"	1 1/2"	2.36	2.22	0.63	0.47	1/2"	1.18	1.10	0.57	0.35	1.22	2.24	0.14
1-1/2" x 3/4"	1 1/2"	2.36	2.22	0.63	0.47	3/4"	1.42	1.30	0.61	0.39	1.22	2.24	0.14
1-1/2" x 1"	1 1/2"	2.36	2.22	0.63	0.47	1"	1.77	1.61	0.67	0.43	1.22	2.24	0.14
1-1/2" x 1-1/4"	1 1/2"	2.36	2.22	0.71	0.47	1-1/4"	2.09	1.97	0.67	0.47	1.22	2.24	0.14
2" x 1/4"	2"	2.91	2.76	0.71	0.51	1/4"	0.79	0.71	0.63	0.20	1.50	2.64	0.16



REDUCING COUPLING											unit : inch		
SIZE	D 1	D 2	D 3	C 1	H 1	d 1	d 2	d 3	C 2	H 2	L 1	L	I
2" x 3/8"	2"	2.91	2.76	0.71	0.51	3/8"	1.00	0.91	0.51	0.31	1.50	2.64	0.16
2" x 1/2"	2"	2.91	2.76	0.71	0.51	1/2"	1.18	1.10	0.59	0.35	1.50	2.64	0.16
2" x 3/4"	2"	2.91	2.76	0.71	0.51	3/4"	1.42	1.30	0.69	0.39	1.50	2.64	0.16
2" x 1"	2"	2.91	2.76	0.63	0.51	1"	1.77	1.61	0.67	0.43	1.50	2.64	0.16
2" x 1-1/4"	2"	2.91	2.76	0.71	0.51	1-1/4"	2.09	1.97	0.67	0.47	1.50	2.64	0.16
2" x 1-1/2"	2"	2.91	2.76	0.71	0.55	1-1/2"	2.36	2.22	0.59	0.47	1.57	2.64	0.16
2-1/2" x 3/4"	2 1/2"	3.54	3.39	0.91	0.55	3/4"	1.42	1.30	0.75	0.35	1.69	2.99	0.26
2-1/2" x 1"	2 1/2"	3.54	3.39	0.91	0.55	1"	1.77	1.61	0.75	0.43	1.69	2.99	0.26
2-1/2" x 1-1/4"	2 1/2"	3.54	3.39	0.91	0.55	1-1/4"	2.09	1.97	0.87	0.47	1.69	2.99	0.26
2-1/2" x 1-1/2"	2 1/2"	3.54	3.39	0.91	0.59	1-1/2"	2.36	2.22	0.91	0.47	1.69	2.99	0.26
2-1/2" x 2"	2 1/2"	3.54	3.39	0.91	0.55	2"	2.91	2.76	0.87	0.55	1.69	2.99	0.26
3" x 3/4"	3"	4.29	4.09	0.94	0.59	3/4"	1.42	1.30	0.55	0.39	1.93	3.35	0.26
3" x 1"	3"	4.29	4.09	0.94	0.59	1"	1.77	1.61	0.63	0.43	1.93	3.31	0.26
3" x 1-1/4"	3"	4.29	4.09	0.94	0.59	1-1/4"	2.09	1.97	0.75	0.47	1.93	3.31	0.26
3" x 1-1/2"	3"	4.29	4.09	0.94	0.63	1-1/2"	2.36	2.22	0.79	0.51	1.93	3.35	0.26
3" x 2"	3"	4.29	4.09	0.94	0.59	2"	2.91	2.76	0.79	0.51	1.69	3.31	0.26
3" x 2-1/2"	3"	4.29	4.09	0.94	0.59	2-1/2"	3.54	3.39	1.02	0.65	1.93	3.27	0.26
4" x 1"	4"	5.43	5.20	0.98	0.63	1"	1.77	1.61	0.94	0.43	2.17	3.82	0.26
4" x 1-1/4"	4"	5.43	5.20	0.98	0.63	1-1/4"	2.09	1.97	0.87	0.47	2.09	3.74	0.26
4" x 1-1/2"	4"	5.43	5.20	0.98	0.63	1-1/2"	2.36	2.22	0.94	0.51	2.09	3.74	0.26
4" x 2"	4"	5.43	5.20	0.98	0.63	2"	2.91	2.76	0.94	0.55	2.09	3.82	0.26
4" x 2-1/2"	4"	5.43	5.20	0.98	0.63	2-1/2"	3.54	3.39	1.14	0.59	2.09	3.78	0.26
4" x 3"	4"	5.43	5.20	0.98	0.67	3"	4.29	4.09	0.98	0.63	2.17	3.86	0.26

Stainless Steel 150# Standard Pattern Cast Fittings
 304 (CF8) & 316 (CF8M)
 NPT Thread